



Revisions August 12, 2015

Deck Lok System Installation Guidelines

Details for Installing Deck Lok as a Water Shedding System

NOTE: These installation instructions are meant to be used as a supplement to the Deck Lok System Installation Guidelines and are not a comprehensive installation document.

NOTE: Proper planning of the deck layout is essential for ease of installation of deck boards and deck components. Thoroughly read the following deck assembly instructions and obtain all necessary building permits prior to starting your installation. Decide finishing and trimming options prior to starting the project to ensure deck projections and finishing detail is uniform for all sides of the deck. Installation is the sole responsibility of the installer. Westech assumes no responsibility whatsoever with respect to the installation. The information contained herein is provided for guidance purposes only and should not be relied upon as any absolute representation by Westech.

Safety Tips:

1. Always check for power, gas, and water lines before digging.
2. Always wear safety glasses when operating power equipment.

Assembly Tips:

1. Substructure should be plumbed and square.
2. Joists should be spaced to a maximum of 24" on center.
3. Overhang deck boards to a maximum of 2".
4. Flashing is necessary if decking is to be attached to a dwelling. Uncovered decks should be sloped 1% away from dwelling. (1% is 1" in 100")

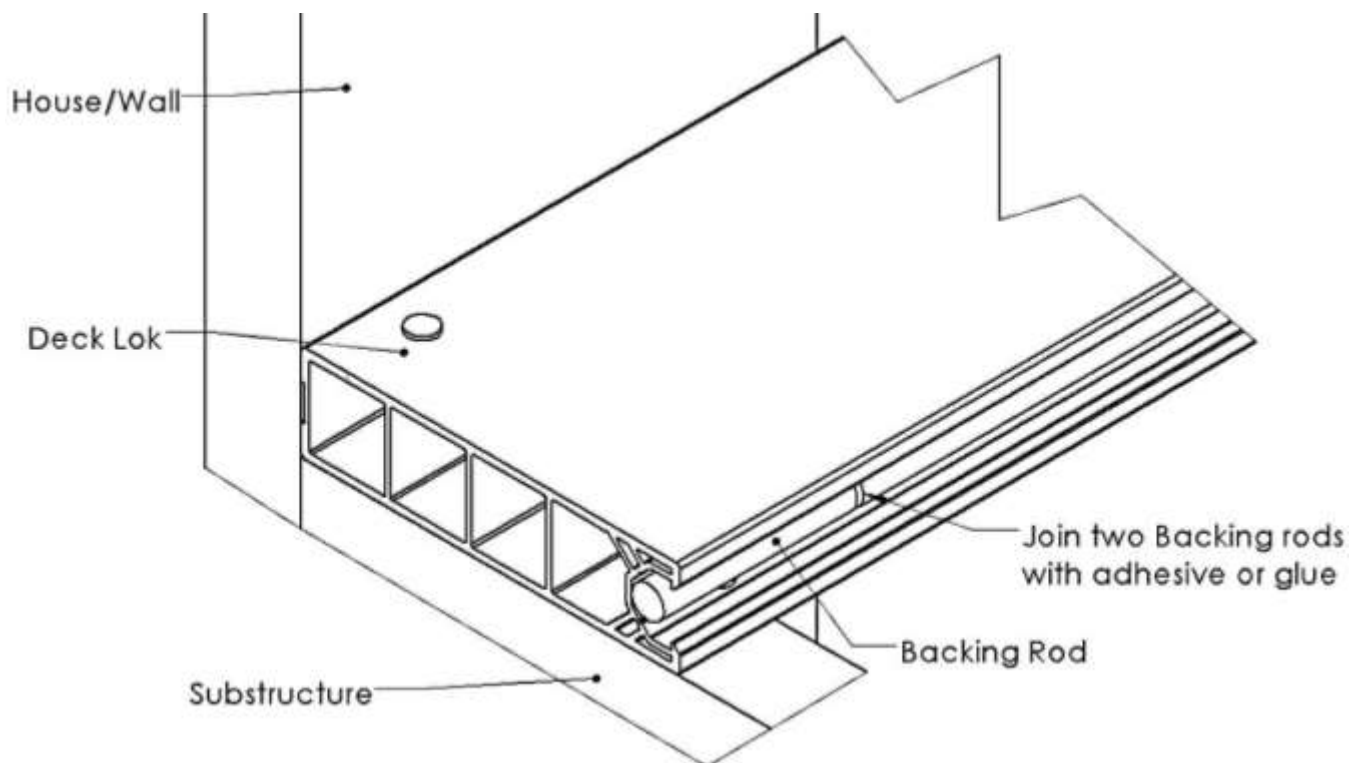
Deck Installation Instructions

STEP 1 – Frame the wood substructure and secure the post supports in compliance with local building codes and ensure that the joist structure provides for deck boards attachment on centers not exceeding 24". On large decks (over 24 ft.) where two deck boards will be used end-to-end, a minimum of two joists must be used to accommodate the fastening of the deck boards to the substructure where the boards meet. Prior to installing the PVC deck boards, fasten the railing post supports to the wood substructure. (Do not mount the post supports on top of the PVC decking). When using VinylGard® code compliant railing kits do not exceed 100" on center for railing post supports. Please refer to the railing installation instruction manual for suggested railing post support attachment options.

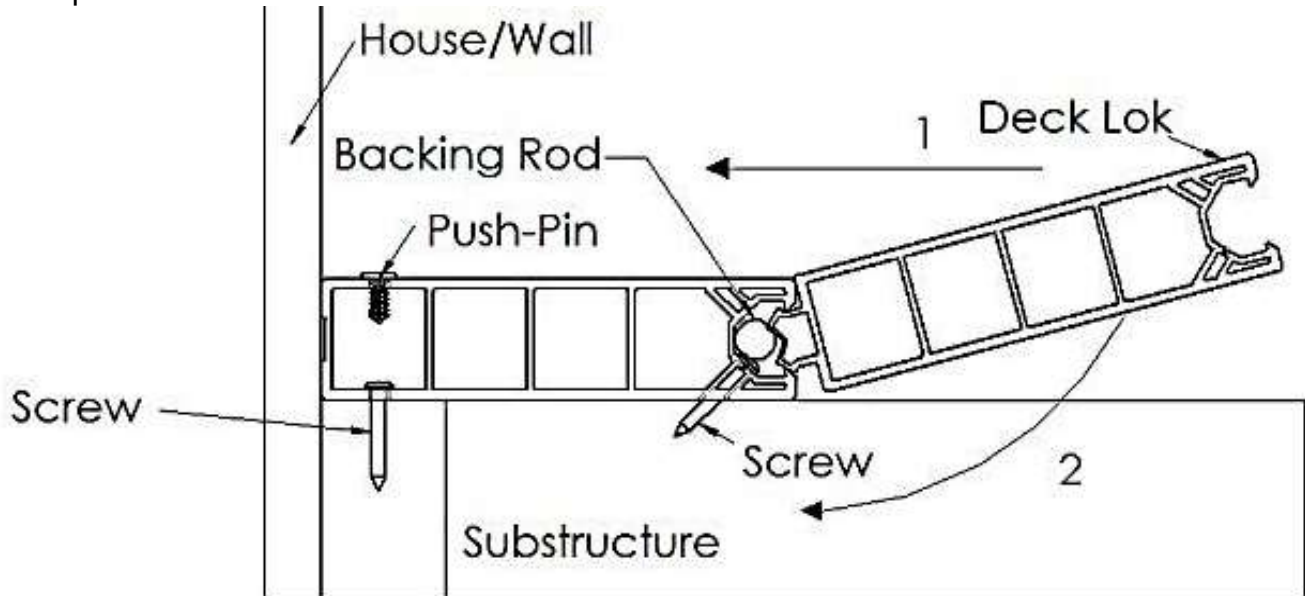
STEP 2 – For starting options see the complete and comprehensive Deck Lok System Installation Guidelines.

STEP 3 – Once the 1st deck board is secured to the substructure, as outlined in the complete Deck Lok System Installation Guidelines. Install remaining deck boards as shown in the following steps to create a water shedding system.

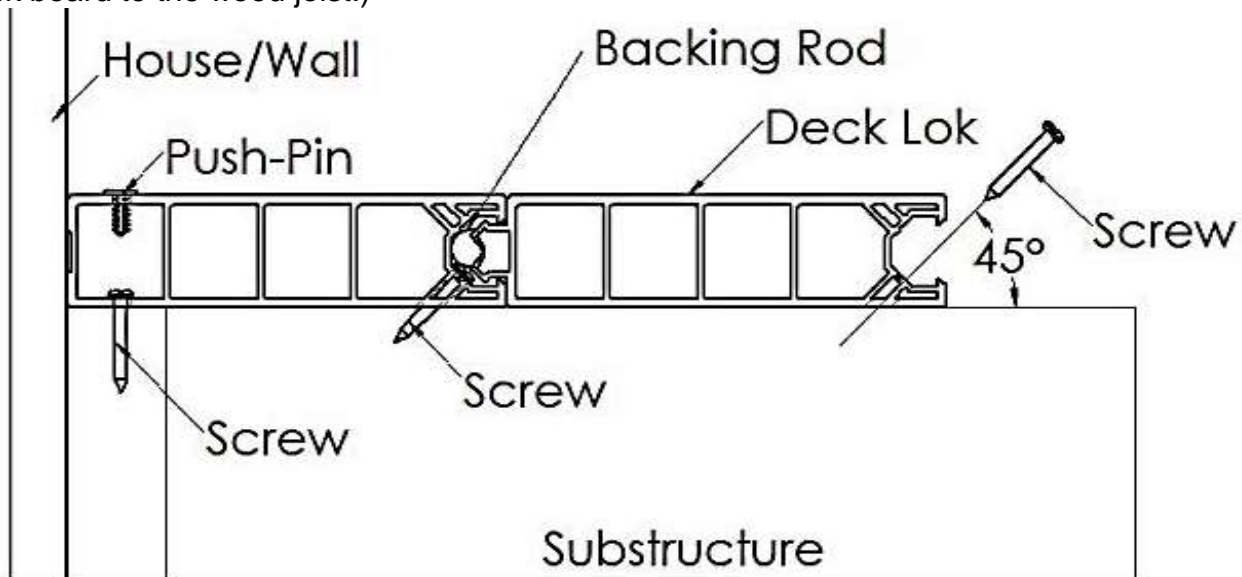
STEP 4 – Installation of remaining deck boards (**STEPS 4, 5 & 6**). Cut the remaining deck boards to desired length. Cut a section of 3/4" diameter backing rod to the same length as the Decking; it is important that the backing rod is the same length as the decking boards. If this isn't possible the backing rod can be joined together using glue or adhesive. Keep in mind that every joint in the backing rod is a location that can possibly allow for water to leak.



STEP 5 – Next place the backing rod into the open groove end. Then proceed to interlock the next deck board into the secured deck board by sliding the tongue under the top lip and snapping the board into place.



STEP 6 – Applying pressure to the hold the deck boards together, secure the open groove edge of the deck board to every joist. (Details shown in complete Deck Lok Installation Guidelines) Repeat this process until all of the deck boards have been installed. (Care should be given to ensure the deck screws are not over-tightened. The deck screws should just rest flush on the screw flange securing the deck board to the wood joist.)



Repeat **STEPS 5 & 6** until the last deck board is ready for installation

STEP 7 – Finishing. To finish assembling the Deck Lok systems refer back to the installation guide for detailed finishing guide lines.